

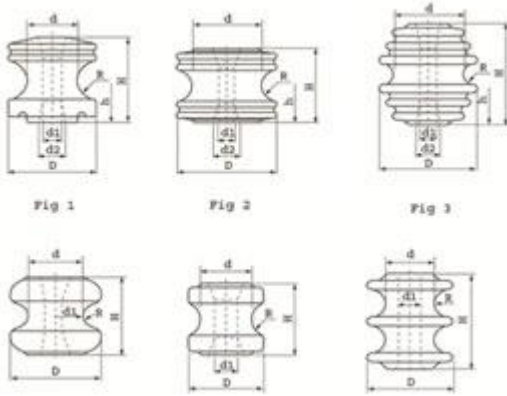
Overview

Shackle insulators are often used in low-voltage distribution lines, which can be used both horizontally and vertically; It can be directly fixed on the pole with bolts or fixed on the pole with cross arms. The tapered hole of the spool insulator makes the load distribution more uniform and minimizes the possibility of fracture of the porcelain bottle under heavy load.

Applications:

Used in low voltage distribution lines

Shackle Insulators are used at the end of distribution lines or at sharp turns where there is excessive tensile load on the lines. The insulators are bolted to the cross-arm of the pole.



ANSI Class/Standard		ANSI
Mechanical Values(kV)		
Transverse Strength(lbs)		3000lbs
Electrical Values(kV)		
Low frequency dry flashover		25kV
Low frequency wet flashover	Vertical	12kV
	Horizontal	15kV
Net Weight(lb)		1.14 lbs